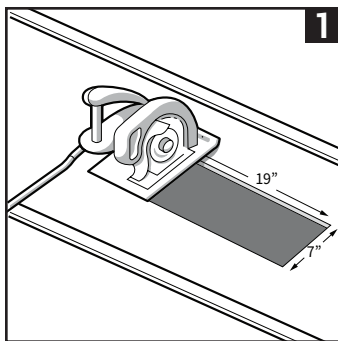
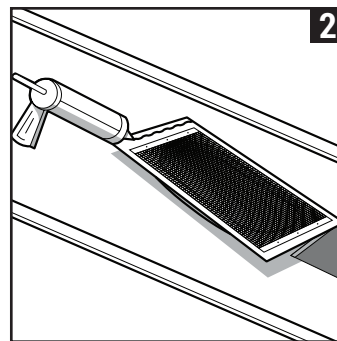


DECRA Roof Panel Vent Installation Guide

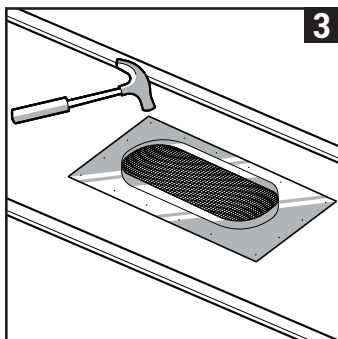
Installation Instructions For DECRA Shake XD, Shingle XD, Villa Tile, Shake, Tile, Shingle Plus Panel Vents



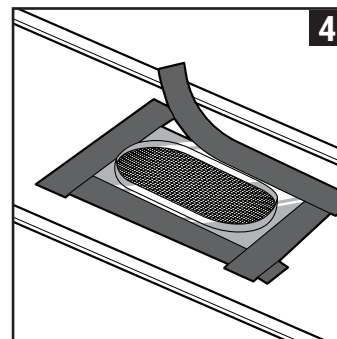
1 MARK & CUT
Mark and cut a 19" wide x 7" high hole in the roof sheathing, centered between the vent panel layout lines or battens (as shown). Note: Set blade depth to sheathing thickness.



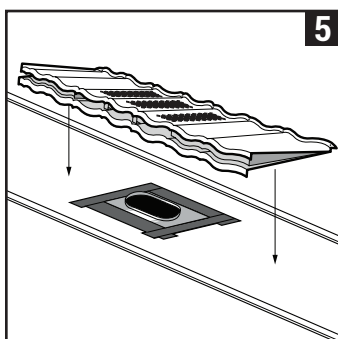
2 SEAL
Seal primary vent screen using exterior grade sealant. Vent screen vertical flange inserts into cut hole for direct-to-deck roof panels; flange rises upward for on-battens roof install.



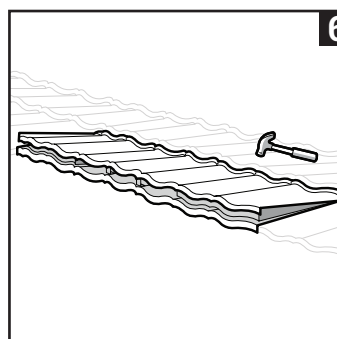
3 ATTACH
Attach at 4" to 6" centers around vent screen perimeter – use roofing nails long enough to penetrate roof sheathing.



4 FLASH
Flash using approved peel & stick or membrane/mastic methods – apply bottom strip first, then sides, and then top strip.



5 VENT INSTALL
Install panel vent unit directly over center of primary vent screen, in the DECRA roof panel course run. Reference specific panel vent style detail on back page. Reference the DECRA Installation Guide for your roof system type.



6 SECURE
Verify and comply with local building code. Follow DECRA Installation Guide detail for attaching roof panels below, above and to panel vent sides. Verify proper overlap of adjoining panels.

Note: DECRA Panel Vents should be on the last full course below the ridge, and no more than 4 feet down from the peak of the roof facet.

General Instructions

1. Verify and follow all local building codes.
2. Follow the DECRA Installation Guide for detailed roof system install.
3. Use fire rated sealant if required by code. Keep flashing membrane at least $\frac{3}{4}$ " away from primary vent screen opening on all sides.
4. Do not install panel vents below or adjacent to valleys or other areas of concentrated water runoff.
5. Install at roof pitch 3:12 or greater (Shingle XD: at 4:12 or greater).
6. Proper attic exhaust ventilation requires placement near the ridge for proper air flow – ideally in second or third roof panel course run below the ridge line assembly. Ensure proper roof eave/soffit vent install per local code.
7. DECRA Roof Panel Vents are designed to integrate into the DECRA roof assembly chosen for your project. Failure to properly install all roof system components can negatively impact overall performance and may void product or installation warranty protection.
8. Adhere to ALL recommended safe roofing practices.
9. Instructions and drawings provided here are not intended to address all aspects of roofing installation; a quality installation is ultimately dependent upon care in workmanship and attention to detail.

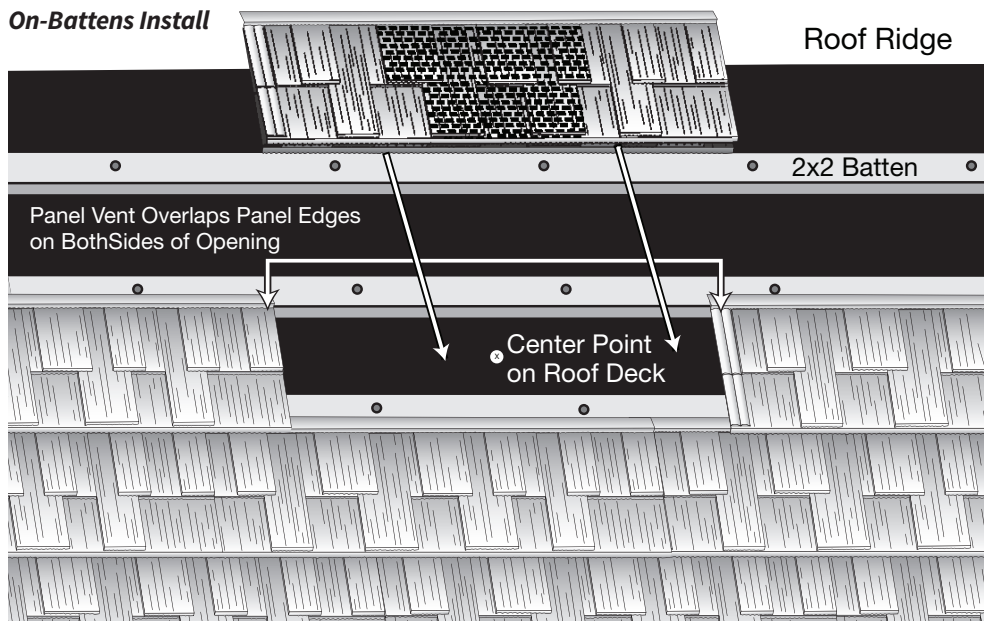
DECRA Roof Panel Vent Installation Detail – Per Roof Panel Style

DECRA Tile, DECRA Shake, DECRA Shingle Plus (On-Battens Install)

In the roof panel course run where you want to install the DECRA panel vent:

- In chosen course run, attach roof panel (located immediately before panel vent install position) with fasteners to batten strip.
- Set a roof panel to the far side of panel vent position to establish correct spacing allowance for panel vent install. Allow for the panel vent position to overlap the panel to each side with correct panel-to-panel overlap. Attach with fasteners to the batten strip.
- Mark a center point on the roof deck in the space defined for placement of the panel vent. Center point accounts for space width AND space height.
- Mark the roof deck for the attic cut-out in sheathing, with the 19"W x 7"H cutout centered to the 'center point' mark made in the vent panel space.
- Cut attic vent hole in sheathing, taking care to set saw blade depth equal to roof sheathing thickness.
- Install the primary vent screen per instructions (refer to detail on page 1).
- Set and install the panel vent unit, with each side of the panel vent overlapping the panels in course run on both left and right side of panel vent. Secure panel vent with fasteners to the batten strip.
- Continue installing the roof panel course run across to the roof edge / roof course run termination point.

DECRA Roof Panel Vent Installation Guide



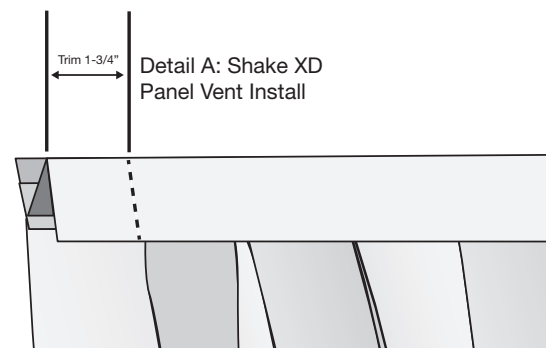
DECRA Roof System Install – Villa Tile, Shingle XD, Shake XD, Shingle Plus (Direct-to-Roof Deck Install)

In the roof panel course run where you want to install the DECRA panel vent:

- In chosen course run, installing from LEFT to RIGHT – attach roof panel (located immediately before panel vent install position) with fasteners direct to the roof deck.
- Mark a center point on the roof deck in the space defined for placement of the panel vent. Center point accounts for vent panel space width AND space height.
- Mark the roof deck for the attic cut-out in roof sheathing, with the 19"W x 7"H cutout centered to the 'center point' mark made in the vent panel space.
- Cut attic vent hole in sheathing, taking care to set saw blade depth equal to roof sheathing thickness.
- Install the primary vent screen per instructions (refer to detail on page 1).
- Set the panel vent unit, with the panel vent overlapping the right side of installed panel the proper overlap distance:
 - Villa Tile overlap: approx. 4-3/4"
 - Shingle XD overlap: approx. 2-1/2"
 - Shake XD overlap: approx. 3"
 - Shingle Plus overlap: approx. 2-3/4"
- Install fastener in panel vent upper-left corner to hold panel vent in place.

Shingle XD: install roof panel to right side of panel vent, sliding left edge of installing panel between the lower and upper panels on right side of panel vent. Butt the panel clips together – upper-right panel clip on panel vent unit to the upper-left panel clip on panel being installed to right side of panel vent unit. Secure both panel vent and right-side Shingle XD panel with fasteners. Continue roof panels course run across to the roof edge / roof course run termination point.

Shake XD: Before installing roof panel to right side of panel vent, cut off 1-3/4" of panel clip in the upper-left hand corner of the installing roof panel (Reference Detail 'A' drawing). Install roof panel to right side of panel vent, sliding left edge of installing panel between the lower and upper panels on right side of panel vent. Butt the panel clips together – upper-right panel clip on panel vent unit to the upper-left panel (trimmed) clip on panel being installed to right side of panel vent unit. Secure both panel vent and right-side Shake XD panel with fasteners. Continue roof panels course run across to the roof edge / roof course run termination point.



Villa Tile and Shingle Plus: Install and fasten roof panel in course run that is next to panel vent location. Set a roof panel to the far side of panel vent position to establish correct spacing allowance for panel vent install. Allow for the panel vent position to overlap the panel to each side with correct panel-to-panel overlap. Attach roof panel with fasteners.

- Mark a center point on the roof deck in the space defined for panel vent placement. Center point accounts for space width AND space height.
- Mark the roof deck for the attic cut-out in sheathing, with the 19"W x 7"H cutout to be centered to the 'center point' mark made in the vent panel space.
- Cut attic vent hole in sheathing, taking care to set saw blade depth equal to roof sheathing thickness.
- Install the primary vent screen per instructions (refer to detail on page 1).
- Set and install the panel vent unit, with each side of the panel vent overlapping the panels in course run on both left and right side of panel vent. Secure with fasteners.
- Continue roof panels course run across to the roof edge / roof course run termination point.