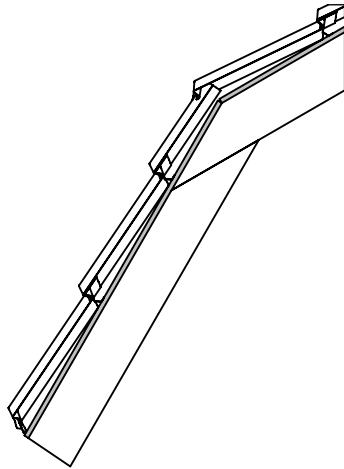
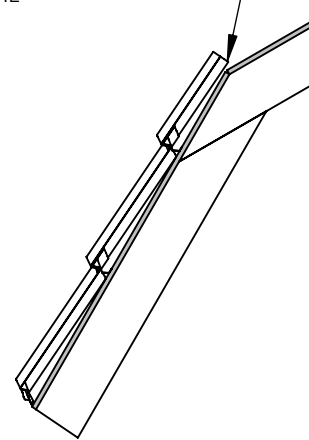


1: INSTALL PANELS UP TO THE PITCH CHANGE AS IS NORMALLY DONE.

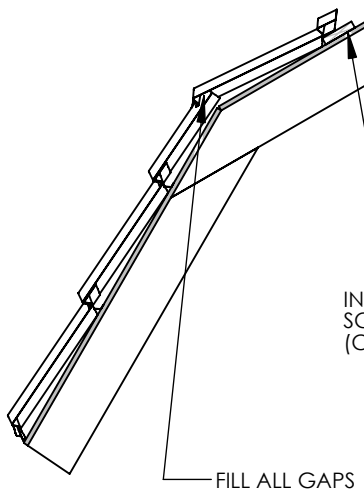


2: MEASURE AND CUT THE COURSE OF PANELS TO EXTEND 1" PAST THE PITCH CHANGE.

1" PAST PITCH CHANGE



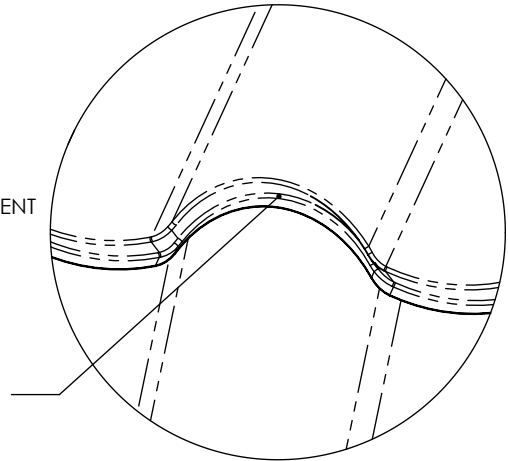
3: INSTALL A 1x4 BATTEN PARALLEL WITH THE RIDGE APPROXIMATELY 13-1/2" FROM THE PITCH CHANGE TO ALIGN THE FIRST COURSE OF PANELS. INSTALL THE FIRST COURSE OF PANELS OVER THE CUT PANELS. INSTALL CLOSURE FOAM OR OTHER SEALING MATERIAL BETWEEN THE PANELS TO CLOSE ALL GAPS. PLACE A SCREW THROUGH THE NOSE OF THE PANEL INTO THE BARREL OF THE CUT PANEL TO SECURE.



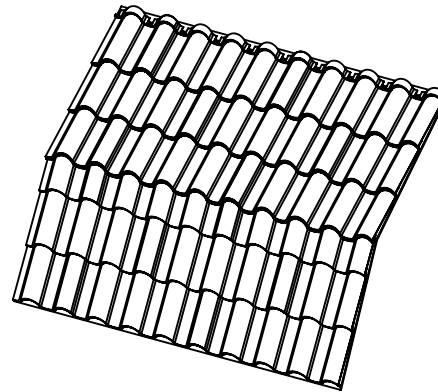
1x4 BATTEN FOR PANEL ALIGNMENT

INSTALL MIN #9 CORROSION RESISTANT SCREW THROUGH NOSE INTO BARREL (COLOR COORDINATED)

FILL ALL GAPS



4: INSTALL THE REMAINING PANELS



TITLE
Pitch Change - High to Low - Villa

DRAWING No.
ARCH2007-4-10b-1

DECRA ROOFING SYSTEMS, INC.

THE INFORMATION CONTAINED IN THIS DRAWING IS THE SOLE PROPERTY OF DECRA ROOFING SYSTEMS, INC. ANY REPRODUCTION IN PART OR IN WHOLE WITHOUT PRIOR APPROVAL AND WRITTEN PERMISSION IS PROHIBITED.

1230 RAILROAD ST. CORONA, CA 92882 PH (951)272-8180 Fax (951)272-4476

DATE: 03-13-13

SCALE: Do Not Scale