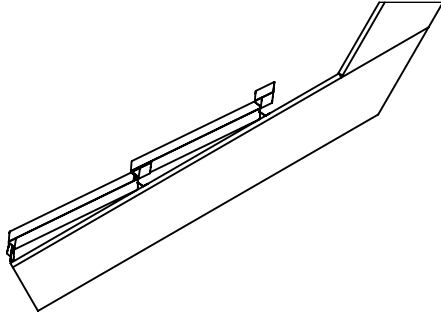
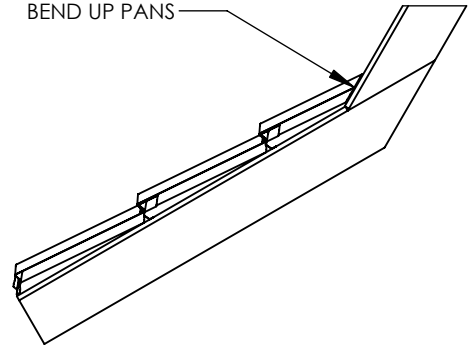


1: INSTALL PANELS UP TO THE PITCH CHANGE AS IS NORMALLY DONE



BEND UP PANS

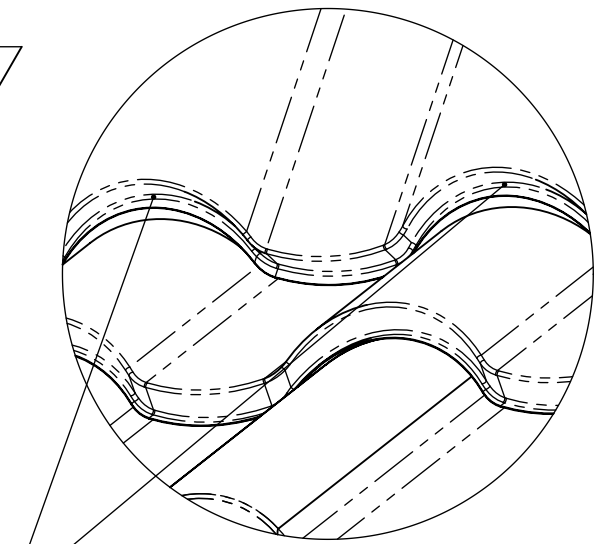
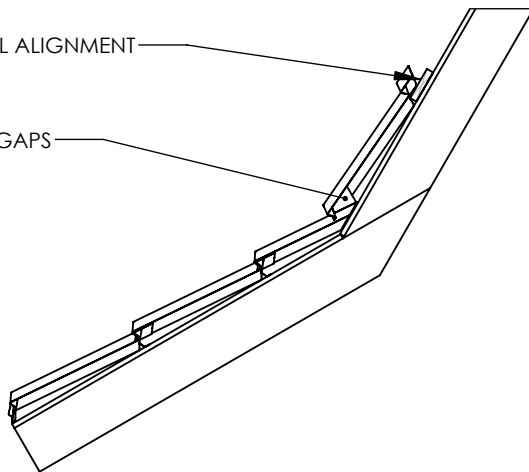


2: CUT PANELS AND BEND UP PANS TO MATCH THE STEEPER PITCH. FASTEN THROUGH BENT PANS

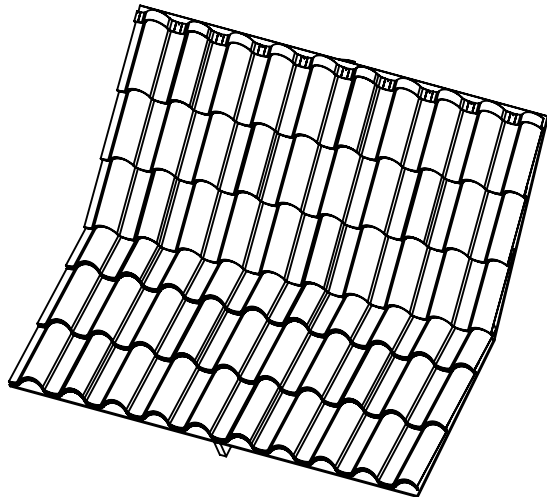
3: INSTALL A 1x4 PARALLEL TO THE RIDGE 14-1/4" FROM THE PITCH CHANGE. INSTALL FIRST COURSE OF PANELS ON THE NEW PITCH OVER THE CUT PANELS. INSTALL CLOSURE FOAM OR OTHER SEALING MATERIAL BETWEEN THE PANELS TO CLOSE ALL GAPS. PLACE A SCREW THROUGH THE NOSE OF THE PANEL INTO THE BARREL OF THE CUT PANEL TO SECURE.

1x4 FOR PANEL ALIGNMENT

FILL ALL GAPS



INSTALL MIN #9 CORROSION RESISTANT SCREW THROUGH NOSE INTO BARREL (COLOR COORDINATED)



4: INSTALL THE REMAINING PANELS

TITLE

Pitch Change - Low to High - Villa

DRAWING No.

ARCH2007-4-10a-1

DECRA ROOFING SYSTEMS, INC.

THE INFORMATION CONTAINED IN THIS DRAWING IS THE SOLE PROPERTY OF DECRA ROOFING SYSTEMS, INC. ANY REPRODUCTION IN PART OR IN WHOLE WITHOUT PRIOR APPROVAL AND WRITTEN PERMISSION IS PROHIBITED.

1230 RAILROAD ST. CORONA, CA 92882 PH (951)272-8180 Fax (951)272-4476

DATE: 03-13-13

SCALE: Do Not Scale