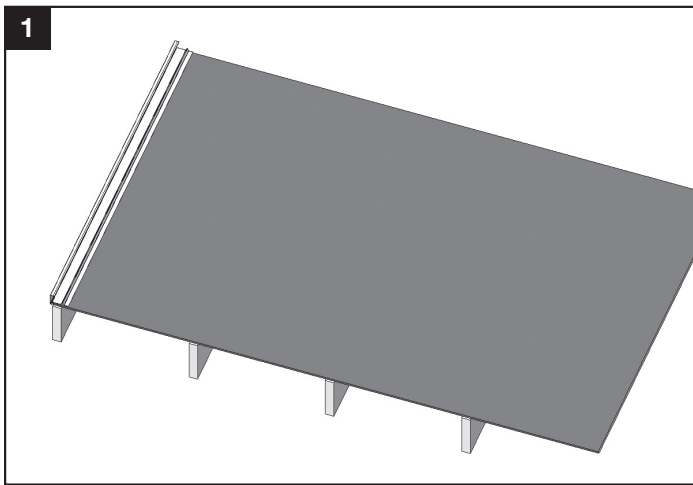
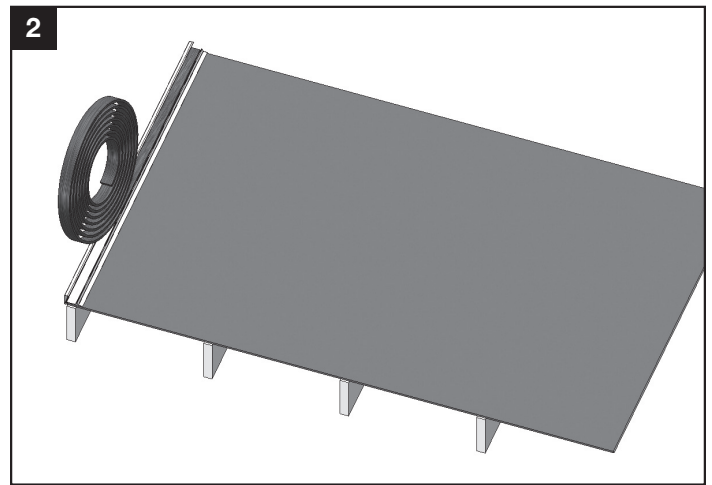


DECRA® Low-Profile Debris Guard

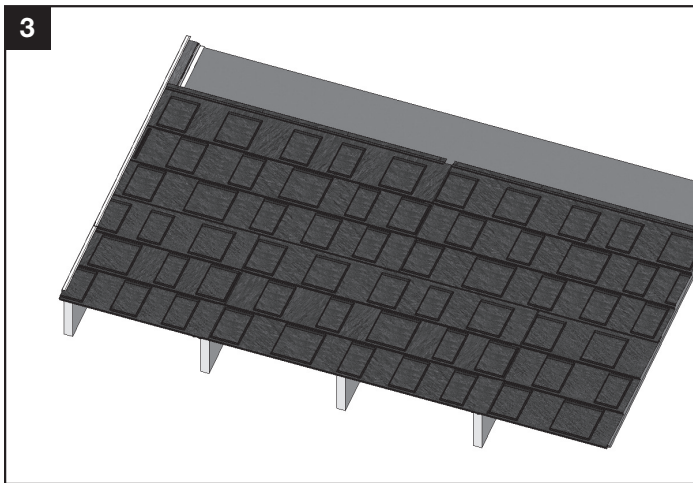
Rake



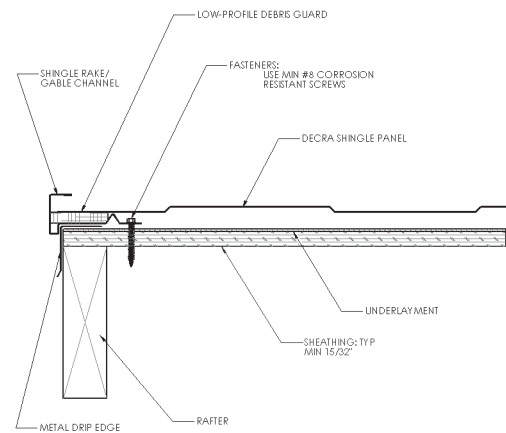
1
Install Low-Profile Rake/Gable Channel according to Install Guide.



2
Roll Low-Profile Debris Guard into Rake/Gable Channel. Remove the white paper while unrolling to expose the adhesive dots.



3
Install Shingle Panels.

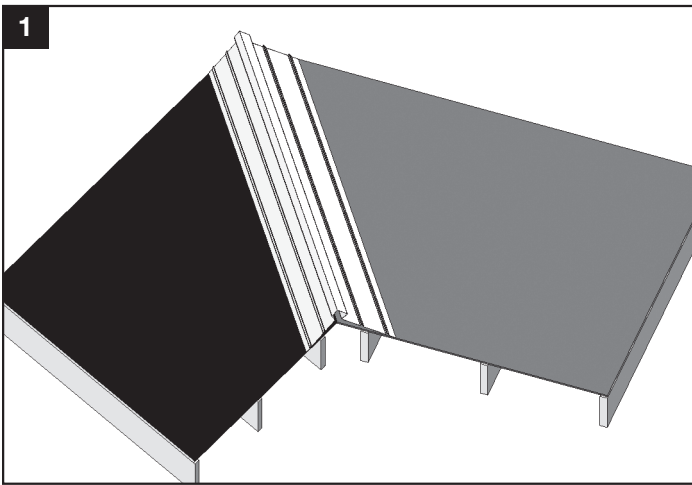


Safety

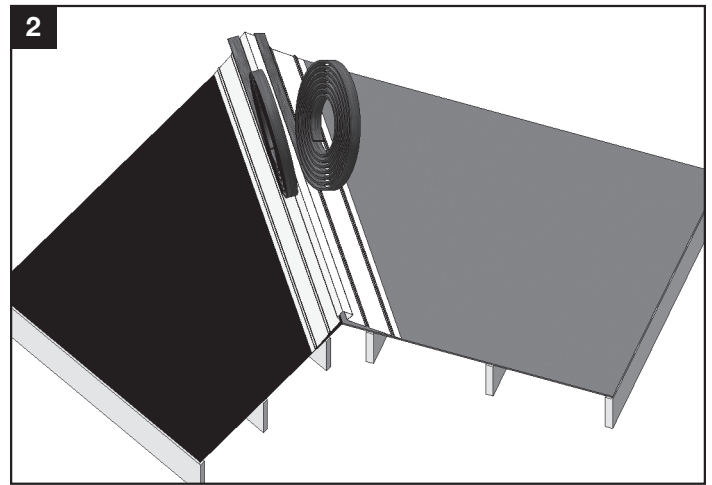
Adhere to recommended safe roofing practices. Wear appropriate clothing and use safety equipment such as protective eyewear and cut resistant gloves.

DECRA® Low-Profile Debris Guard

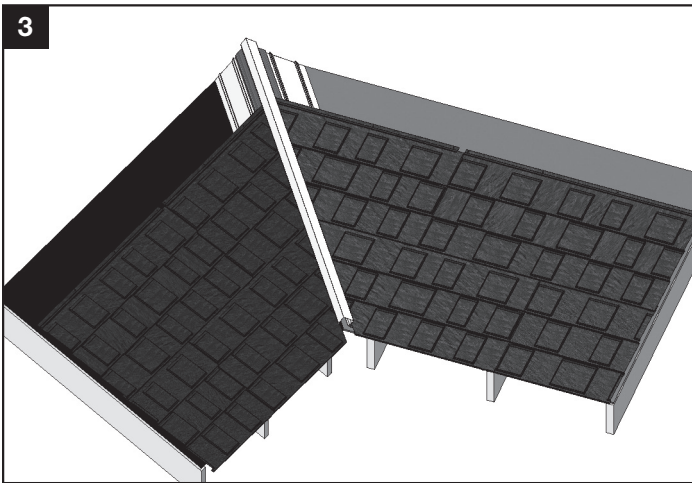
Valley



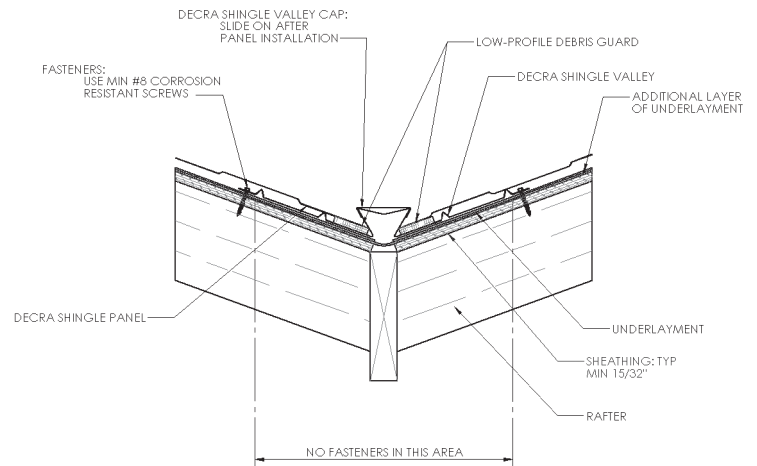
1
Install Low-Profile Debris Guard Valley according to Install Guide.



2
Roll Low-Profile Debris Guard into both sides of Valley. Remove the white paper while unrolling to expose the adhesive dots.



3
Install DECRA panels over the Low-Profile Debris Guard and into the Valley.



Safety

Adhere to recommended safe roofing practices. Wear appropriate clothing and use safety equipment such as protective eyewear and cut resistant gloves.